



WX64

Autocar Sales Managers
551 S. Washington st.
Hagerstown, IN 47346

Prepared By : CLIFF BUCK
901-861-1966
cbuck@autocartruck.com

Prepared For :
HEIL - EC CFEL

Thursday, July 12, 2007 9:38:18 PM EST

*Classic Quality.
Legendary Performance.*

Vehicle Specification

			Front	Rear	
			Weight	Weight	
Description					
AUTOCAR TRUCKS					
O	100A997	REFERENCE CHASSIS	REFERENCE SERIAL NUMBER... SPECIFY	0	0
S	004519	MODELS	WX64	9,382	6,820
S	500015	CAB SHELL	WX CAB - SINGLE LH DRIVE	0	0
S	100T98	CUSTOMER LAYOUT	NONE	0	0
O	100U003	CUSTOMER TYPE	UNKNOWN (STOCK/DEMO)	0	0
S	680004	NAME PLATES,STD	AUTOCAR	0	0
S	004N064	CHASSIS VIN IDENTIFIER	6 X 4	0	0
SOLUTION					
S	C00000	TRUCK TYPE	CUSTOM TRUCK	0	0
O	C01003	APPLICATION	REFUSE - LANDFILL	0	0
O	C02001	BODY TYPE	COMMERCIAL FRONT END LOADER	0	0
O	C03001	TERRITORY	EAST COAST	0	0
O	C04999	BODY COMPANY	UNDETERMINED	0	0
O	C06999	BODY STYLE	UNDETERMINED OR N/A	0	0
O	C05040	BODY CAPACITY	40 YARD	0	0
O	D010200	FRONT GAWR	20000 LBS	0	0
O	D020460	REAR GAWR	46000 LBS	0	0
O	D100660	GVWR	66000 LBS	0	0
VEHICLE ADAPTATION					
S	114010	COUNTRY OF USE	UNITED STATES STD MARKET ADAPTATION	0	0
ENGINE					
O	1010022	ENGINE ASSY	ISL '07, 365HP@2100RPM / 1250 FT-LBS, CUMMINS	0	0
O	102365	ENGINE HORSEPOWER RATING	365 HORSE POWER	0	0
S	103003	ENGINE OIL CHECK & FILL	EXTERIOR CHECK AND FILL	0	0
S	105001	ENGINE FLYWHEEL HOUSING	SAE NUMBER 1 HOUSING	0	0
S	111001	DRAIN PLUG-ENGINE	MAGNETIC	0	0
S	120001	ENGINE SUPPORTS	STEEL NODAL MOUNT	0	0
S	4460001	FUEL TYPE	ULTRA-LOW SULPHUR DIESEL FUEL REQUIRED	0	0
ENGINE EQUIP					
O	122002	PTO-ENGINE FRONT	ADAPTER FOR SPICER 1350	29	-3
O	1250001	FEPTO PUMP BRACKET	STANDARD PUMP BRACKET	0	0

Prepared By CLIFF BUCK
 Quote Id : 209" East Coast
 Phone : 901-861-1966
 Order : 80008157
 Lead Unit Sales Order : 80008157

Prepared For
 HEIL - EC CFEL
 VIN : 5VCDC6JF08H000000

S 128071	ENGINE CONTROL SPECIFICATIONS	DEFAULT SPECS	0	0
S P010065	VEHICLE GOVERNED SPEED LIMIT	SPEED LIMIT 65MPH	0	0
S P020001	ENGINE IDLE SHUT DOWN	ENGINE IDLE SHUT DOWN ENABLED (5 MINUTES)	0	0
S P030001	CRUISE CONTROL PARAMETER	CRUISE CONTROL ENABLED	0	0
S 129022	ENGINE ELECTRONICS	CUMMINS DIESEL, CM875	0	0
S 132034	ENGINE PROTECT SYSTEM/WARN & SHUTDOWNS	AUDIBLE/VISUAL ALARM/SDN, LOP, HT, LWL	0	0
S 170025	FILTER-FUEL	CUMMINS SPIN-ON FILTER	0	0
S 171013	FILTER-ENGINE OIL BY-PASS	CUMMINS ENGINE OIL FILTER	0	0
S 172007	FILTER-ENGINE OIL FULL FLOW	CUMMINS COMBINATION FULL FLOW/BYPASS	0	0
S 174V98	FUEL HEATER	NO HEAT EXCHANGER PROVIDED	0	0
S 1750001	ENGINE OIL	STANDARD ENGINE OIL	0	0
O 180024	ENGINE BLOCK HEATER	PHILLIPS 120V 1000 WATT	5	0
O 181004	HEATER RECEPTICAL LOCATION-ENGINE	R H CORNER	0	0
S 2000002	RADIATOR	1300 SQ. IN. 3 ROW HIGH CAPACITY	0	0
S 201002	FAN SHROUD	FAN RING	0	0
S 204002	COOLANT HOSES	SILICONE HOSES WITH STEEL TUBING	0	0
S 208014	FAN & DRIVE-ENGINE	FAN CLUTCH, ON/OFF	0	0
S 2090001	RADIATOR COOLANT	EXTENDED LIFE COOLANT	0	0
S 210002	RADIATOR CHECK/FILL	EXTERIOR COOLANT CHECK AND FILL	0	0
S 2120003	RADIATOR SURGE TANK	STANDARD SURGE TANK W/ SIGHT GLASS	0	0
S 219001	AIR CHARGE SYSTEM	COOLING	0	0
S 2200001	AIR CLEANER	15" ONE STAGE EPG CLEANER DONALDSON	0	0
S 222001	AIR CLEANER INLET PIPING	ALUMINUM STACK	0	0
S 226001	AIR INTAKE RAIN CAP	BLACK, HOOD TYPE	0	0
S 230022	MUFFLER SYSTEM	SINGLE VERTICAL - RH SIDE	0	0
O 231001	EXHAUST SHIELDS	STAINLESS STEEL VERT MUFF SHIELD-SINGLE	6	0
S 2320001	EXHAUST STACKS	12FT 6IN STAINLESS STEEL - SINGLE	0	0
S 234001	EXHAUST RAIN CAP	SINGLE	0	0
S 235002	EXHAUST PIPING	STAINLESS STEEL FLEX SECTIONS	0	0
S 235T98	EXHAUST DEBRIS SHIELDS	NO EXHAUST PIPING SHIELDS	0	0
S 236002	MUFFLER SUPPORT	FRAME MOUNTED	0	0
S 4380003	FILTER-FUEL, ADDITIONAL	FLEETGUARD FS 1003 F/W SEPARATOR W/PROBE & DASH LIGHT	0	0
S 700026	AIR COMPRESSOR	CUMMINS WABCO 18.7 CFM COMPRESSOR	0	0

Prepared By CLIFF BUCK
 Quote Id : 209" East Coast
 Phone : 901-861-1966
 Order : 80008157
 Lead Unit Sales Order : 80008157

Prepared For
 HEIL - EC CFEL
 VIN : 5VCDC6JF08H000000

S 701001	GOVERNOR-AIR COMPRESSOR	STANDARD	0	0
S 702002	AIR LINES-COMPRESSOR DISCHARGE	TEFLON HOSE	0	0
S 802114	ALTERNATOR	DELCO REMY 12V 130AMP 22SI	0	0
S 810089	BATTERY	3 JOHNSON CONTROL 31ECL 12V 2250CCA	0	0
S 8200002	STARTING MOTOR	DELCO REMY 12V 39 MT	0	0
S 204A01	COOLANT HOSE CLAMPS	CONSTANT TORQUE CLAMPS WHERE POSSIBLE	0	0

TRANSMISSION

S 2550002	TORQUE CONVERTER	TORQUE CONVERTER TC 521	0	0
S 2580003	VOCATION	RDS REFUSE - VOC 400-XXX	0	0
O 269027	CONTROL MODULE (ELECT)	REFUSE W/ AN & SERVICE BRAKE GRP106, VP170	0	0
O 2700018	TRANSMISSION	ALLISON 4GC 4500 RDS 6 SPEED	0	0
S 284016	TRANSMISSION CONTROLS	ALLISON PUSHBUTTON CONTROLS	0	0
S 286005	COOLER-TRANSMISSION OIL	OIL TO WATER TYPE	0	0
S 290003	TRANSMISSION OIL FILL/CHECK	OIL FILL TUBE / DIPSTICK W/ LEVEL SENSOR	0	0
S 291001	DRAIN PLUG-TRANSMISSION	MAGNETIC	0	0
S 292004	TRANSMISSION LUBRICANT	TRANSYND SYNTHETIC AUTO TRANS FLUID	0	0
S 300011	DRIVESHAFT-MAIN	SPICER 1760HD HALF ROUND	0	0
S 302007	DRIVESHAFT-INTER-AXLE	1710 WITH HALF ROUND YOKES	0	0

FRONT AXLE

S 3690003	FRONT AXLE POSITION	53.5 INCHES	0	0
S 3700002	FRONT AXLE	MERITOR MFS-20 STEER AXLE, 20000# CAPACITY	0	0
S 371135	FRONT SUSPENSION	9500 LOW CAMBER FLATLEAF 20,800 GR CAP	0	0
O 371T01	SUSPENSION, FRONT AUX	AEON AUX LOAD CUSHION	10	0
S 373002	SHOCK ABSORBERS-FRONT	DOUBLE ACTING SINGLE - HEAVY DUTY	0	0
S 374001	FRONT AXLE LUBRICANT	STANDARD	0	0
S 383101	STEERING GEAR	INTEGRAL POWER STEERING W/RIGHT HAND RAM	0	0
S 384009	POWER STEERING PUMP	VICKERS V20NF	0	0
S 387003	POWER STEERING RESERVOIR	FOUR QUART REMOTE MOUNTED	0	0
S 388001	POWER STEERING HOSE	STANDARD HOSES	0	0

REAR AXLE

O 330444	REAR DRIVE AXLE-SINGLE & TANDEM	ARVIN MERITOR RT46-160 46,000 LB	0	445
S 330H001	REAR DRIVE AXLE-SINGLE & TANDEM	STANDARD TRACK	0	0
O 331538	REAR DRIVE AXLE RATIO	5.38	0	0

S 330U98	REAR AXLE LUBE PUMP	NO LUBRICATION PUMP	0	0
S 338001	DRAIN PLUG-REAR AXLE	MAGNETIC, DRAIN AND FILL	0	0
S 339001	REAR AXLE LUBRICANT	STANDARD	0	0
O 3500004	REAR SUSPENSION	HENDRICKSON HMX-460 SUSP @ 54" AS	0	8
S 351013	REAR SUSPENSION BEAMS	54 INCH STEEL RUBBER BUSHED	0	0
O 3560001	REAR DRIVE AXLE STOPS	REAR BUMPSTOPS REQUIRED	0	0
S 358005	TORQUE RODS	LONGITUDINAL & TRANSVERSE - RUBBER BUSHED	0	0

BRAKES

S 729002	AIR LINES-PARKING BRAKE, CHASSIS	AIR LINES CHASSIS PARK BRAKE	0	0
S 741047	BRAKE CONTROL SYSTEM	BENDIX ABS	0	0
S 782014	BRAKE VALVE-PARKING CONTROL	ONE PUSH - PULL TYPE W/YELLOW DIA-TRUCK	0	0
S 7510003	BRAKES-FOUNDATION, FRONT AXLE	ARVIN MERITOR 16.5X6 QP	0	0
S 753018	BRAKE CHAMBERS-FRONT AXLE	CAM-STANDARD	0	0
S 754009	BRAKE SLACK ADJUSTERS-FRONT AXLE	ARVIN MERITOR AUTOMATIC	0	0
S 755001	DUST SHIELDS - FRT BRAKES	DUST SHIELDS - FRONT BRAKES	-1	0
S 901001	BRAKE DRUM-FRONT	CAST IRON	0	0
S 7610003	BRAKES-FOUNDATION, REAR AXLE	ARVIN MERITOR 16.5X7 Q PLUS	0	0
S 763019	BRAKE CHAMBERS-REAR AXLE	CAM-STANDARD	0	0
S 764013	BRAKE SLACK ADJUSTERS-REAR AXLE	ARVIN MERITOR AUTOMATIC,TANDEM AXLE	0	0
S 765001	DUST SHIELDS - REAR BRAKES	DUST SHIELDS - REAR BRAKES	0	0
S 781012	BRAKE CHAMBERS-PARKING, TYPE/VENDOR	CAM TYPE MGM STOPGARD (4)	0	0
S 910001	BRAKE DRUM-REAR	CAST IRON	0	0
S 736001	CHECK VALVES-BRAKE SYSTEM	STANDARD	0	0

CHASSIS

S 400209	WHEELBASE	209 INCHES	0	0
S 402104	FRAME-REAR OVERHANG	104"	-94	0
S 403012	FRAME RAILS	3/8" VARIABLE DROP STEEL, EXT B	0	0
O 404002	FRAME REINFORCEMENT INNER	.25" LINER, STANDARD LENGTH	150	0
S 406001	FRAME-REAR CUT-OFF	STRAIGHT	0	0
S 408001	FRAME CROSSMEMBER-ENGINE FRONT	STEEL	0	0
S 409002	FRAME CROSSMEMBER-CENTER	ALUMINUM	0	0
S 4110002	FRAME CROSSMEMBER-END CLOSING	ALUMINUM MEMBER-IF REQUIRED	0	0
S 4120002	FRAME BOLTS	HUCKSPIN RR SUSP & CROSSMEMBERS	0	0

Prepared By CLIFF BUCK
 Quote Id : 209" East Coast
 Phone : 901-861-1966
 Order : 80008157
 Lead Unit Sales Order : 80008157

Prepared For
 HEIL - EC CFEL
 VIN : 5VCDC6JF08H000000

S 414002	FRAME CROSSMEMBER-SUSPENSION	ALUMINUM MEMBERS	0	0
S 4150002	FRAME CROSSMEMBER-OVERHANG	ALUM CMBR ROS - IF REQUIRED	0	0
S 4160001	FRAME REINFORCEMENT	OVERSLUNG X-MEMBER INTEGRAL W/ENG MOUNTS	0	0
O 430998	FUEL TANK-LEFT	DELETE LHS FUEL TANK	-29	-59
O 430U001	FUEL TANK MOUNTING HEIGHT LHS	FUEL TANK STANDARD HEIGHT	0	0
O 431033	FUEL TANK-RIGHT	85 GALLON ALUMINUM 22" CYLINDRICAL TANK, RHS	39	78
O 431T001	FUEL TANK MOUNTING RHS	FUEL TANK MTD FWD RHS - STD (IF PROVIDED)	0	0
O 431U007	FUEL TANK MOUNTING HEIGHT RHS	FUEL TANK SPACED 4, DROPPED 4	18	0
S 435001	FUEL TANK OVERFLOW PIPE	STANDARD VENT	0	0
S 435T98	TANK CHECK VALVE	NO BALL CHECK VALVE(S) PROVIDED	0	0
S 436001	FUEL LINES	SAE J844 NYLON TUBING	0	0
O 441001	FUEL TANK STRAP/ SUPPORT RIGHT	STEEL	0	0
S 460001	BUMPER-FRONT	STEEL PAINTED	0	0
O 468001	GUARD-OIL PAN	ENGINE OIL PAN GUARD - STEEL	126	-31
S 480002	TOWING DEVICE-FRONT	TWO REMOVABLE TOW PINS	0	0
S 711002	AIR TANK-BRAKE	STEEL TANKS FOR TANDEM AXLE	0	0
O 711U06	AIR TANK MOUNTING	AS MANY TANKS IN RAIL AS POSSIBLE	0	0
S 713023	AIR DRYER	BENDIX ADIP W/HEAT	0	0
O 713T001	AIR DRYER MOUNTING LOCATION	MOUNT AIR DRYER INSIDE RAIL	0	0
O 715009	WET TANK DRAIN	BENDIX DV-2 AUTOMATIC WITH HEATER	1	1
O 715T003	AIR RESERVOIR DRAIN SYSTEM	CENTRAL MANIFOLD W/ PETCOCKS	2	2
S 722005	BRAKE VALVES-REAR AXLE	STANDARD	0	0
S 724001	AIR LINES-CAB	SAE J844 NYLON TUBING	0	0
S 728001	AIR LINES-MAIN, CHASSIS	SAE J844 NYLON TUBING	0	0
S 783001	BRAKE MODULATION SYSTEM-PARKING	PARK BRAKE RELAY/INVERSION VALVE	0	0
O 812083	BATTERY BOX	STL TRAY ALUM LID (3) CAP 14.5" LH MTD	15	20
S 812T01	BATTERY BOX POSITION	BOX LOCATED AS FAR FWD AS POSSIBLE	0	0
O 812U008	BATTERY BOX HEIGHT	TOP OF BATTERY BOX 10.5" BELOW TOP OF RAIL	10	0
S 8140001	BATTERY SHUT-OFF SWITCH	BATTERY SHUT OFF W/ LOCK OUT	0	0

CAB EXTERIOR

Prepared By CLIFF BUCK
 Quote Id : 209" East Coast
 Phone : 901-861-1966
 Order : 80008157
 Lead Unit Sales Order : 80008157

Prepared For
 HEIL - EC CFEL
 VIN : 5VCDC6JF08H000000

S 4510001	STEP-CAB ACCESS, CAB MOUNTED	DUAL SELF CLEANING CAB ENTRANCE STEPS	0	0
S 462004	MUD FLAPS-FRONT WHEEL	FRONT FLAPS	0	0
S 502001	CAB DOORS	STEEL	0	0
S 502T98	DOOR CHECK STRAPS	WITHOUT DOOR CHECK STRAP	0	0
S 510003	GLASS	ALL GLASS TINTED	0	0
O 5140001	CAB GUARD FRONT	XPEDITOR CAB GUARD	27	-8
O 5300001	ENGINE COVER	STEEL ENGINE/EXHAUST COVER	20	0
O 622054	MIRRORS-DUAL WEST COAST	MOTO MIRROR HTD,LH-FIX,RH-MOTO,AERO,BRIT	3	0
O 622U001	MIRROR ARM TYPE	SHORT-ARM, SS RETRACT	0	0
S 623009	MIRRORS-AUXILIARY	CONVEX CLAMP ON TYPE LH & RH STAINLESS	0	0
S 623M01	MIRRORS, DOWN VIEW	DOWN VIEW	0	0
S 624012	GRAB HANDLES-ENTRY	MEETS FMCSR 399 REQUIREMENTS	0	0
S 626001	REFLECTORS - SIDE	AMBER REFLECTORS	0	0
S 630026	HORN-AIR	PAINTED TWIN MOUNTED UNDER CAB	0	0
S 631001	HORN-ELECTRIC	SINGLE	0	0
S 661001	CAB TILT MECHANISM-C.O.E.	HYDRAULIC TILT	0	0
S 6620001	CAB LATCH/HOLDDOWN-C.O.E.	HYDRAULIC CAB LATCHES	0	0
O 6720002	GRILLE	AUTOCAR STATIONARY GRILLE	3	0
S 675001	GRILLE EQUIPMENT	BUG SCREEN MOUNTED BEHIND GRILLE	0	0
S 6900001	FENDERS-FRONT	IMPACT RESISTANT POLY FENDER MTD. TO CAB	0	0
S 6910001	FENDER EXTENSIONS-FRONT	IMPACT RESISTANT POLY FENDER	0	0

CAB INTERIOR

S 1130002	CAB INTERIOR ENHANCEMENTS	05 INTERIOR UPGRADES	0	0
S 137002	GAUGE-HOURMETER	ELECTRONIC, INTEGRAL WITH TACHOMETER	0	0
S 3800001	STEERING WHEEL	16" DIA. WHEEL, 2 SPOKE	0	0
S 381001	STEERING COLUMN	FIXED POSITION	0	0
S 520234	SEAT-DRIVER	NATIONAL CUSH II LOW BACK, AIR RIDE	0	0
S 521110	SEAT-PASSENGER	FIXED TYPE, LOW BACK	0	0
S 522003	SEAT BELTS-DRIVER	THREE POINT RETRACTABLE	0	0
S 523003	SEAT BELTS-PASSENGER	THREE POINT RETRACTABLE	0	0
O 526014	SEAT INSERT	BLACK CORDURA	0	0
S 533013	CAB PANELS-DOOR	BOTH SIDES	0	0
S 538001	CARPET & MAT	MAT WITH FOAM BACK	0	0
S 5390001	CAB INTERIOR	AUTOTUFF INTERIOR UPHOLSTERY	0	0
S 5400001	CAB PANELS-INTERIOR TRIM	GREY INTERIOR TRIM	0	0
S 541004	CAB PAINTING-INTERIOR	CODE 980 --- EXTERIOR COLOR	0	0

S 542016	SUN VISOR-INTERIOR	LEFT AND RIGHT HAND COLOR KEYED	0	0
S 543011	ARM REST	LEFT AND RIGHT HAND ARM REST	0	0
S 544001	COAT HOOK	ON BACK PANEL	0	0
S 5490001	CUSTOM TRIM FALL 2004	CUSTOM TRIM FALL 2004	0	0
S 5500001	CENTER CONSOLE	CENTER CONSOLE	0	0
S 5510001	REAR CONSOLE	REAR CONSOLE	0	0
S 547001	INSULATION-CAB THERMAL	THERMAL INSULATION KIT FOR CAB	0	0
S 5680001	ROOF COMPARTMENT	OVERHEAD CONSOLE	0	0
S 570009	INSTRUMENT PANEL	COLOR KEYED	0	0
S 5930001	ASH TRAY	ASHTRAY MTD IN CONSOLE	0	0
S 594001	CIGAR LIGHTER	DASH MOUNTED	0	0
S 624U01	INTERIOR ENTRY GRAB HANDLES	LH & RH MTD TO INSIDE OF A-PILLAR	0	0
S 630B001	AIR HORN PULL CORDS	SINGLE HORN LANYARD	0	0
S 864001	LAMPS-CAB INTERIOR	DOMELAMP	0	0

CAB CLIMATE CONTROL

O 060001	CAB TEMPERATURE SYSTEM	AIR COND INTEGRAL WITH HEATER/DEFROSTER	138	-27
O 6000002	CAB TEMP SYSTEM	INTEGRAL AIR CONDITIONING W/ HEATER / DEFROSTER	0	0
S 602003	HEATER HOSES	SILICONE HOSES W/HTR SHUTOFF VALVE ENG.	0	0
S 602C01	HEATER HOSE CLAMPS	CONSTANT TORQUE HOSE CLAMPS	0	0
S 602S98	HEATER SHUT OFF	STANDARD HEATER SHUTOFF VALVES	0	0
S 602T98	HOSE WRAP	SPECIAL HOSE WRAP NOT PROVIDED	0	0
O 608002	REFRIGERANT TYPE	R134A	0	0
O 611003	AIR CONDITIONER COMPRESSOR	STANDARD	0	0
O 612001	AIR CONDITIONER CONDENSER	STANDARD	0	0
O 615004	AIR CONDITIONER PIPING	R134A HOSES WITH CRIMPED FITTINGS	0	0

GAUGES & INSTRUMENTATION

S 0570002	INSTRUMENTS SALES PKG	05 STANDARD GAUGES	0	0
S 1360001	TACHOMETER/RPM TACHOGRAPH	ELECTRONIC TACHOMETER WITH HOURMETER	0	0
S 1380001	GAUGE-ENGINE OIL PRESSURE	ELECTRONIC ENGINE OIL PRESSURE	0	0
S 1400001	GAUGE-ENGINE COOLANT TEMPERATURE	ELECTRONIC ENGINE COOLANT TEMP.	0	0
S 225009	AIR INTAKE RESTRICTION INDICATOR	GRADUATED, AIR CLEANER MOUNTED	0	0
S 288009	GAUGE-TRANSMISSION OIL TEMPERATURE	TRANS TEMP WARNING LIGHT & BUZZER	0	0

Prepared By CLIFF BUCK
 Quote Id : 209" East Coast
 Phone : 901-861-1966
 Order : 80008157
 Lead Unit Sales Order : 80008157

Prepared For
 HEIL - EC CFEL
 VIN : 5VCDC6JF08H000000

S 337001	INTERAXLE DIFFERENTIAL LOCKOUT CONTROLS	DASH MOUNTED WARNING LIGHT & CONTROL	0	0
S 4390001	GAUGE-FUEL LEVEL	ELECTRONIC FUEL LEVEL	0	0
S 5770001	SPEEDOMETER/ODOMETER	ELECTRONIC WITH ODOMETER	0	0
S 579002	SPEEDOMETER DRIVE	ELECTRIC FROM TRANSMISSION	0	0
S 7030001	GAUGE-AIR SYSTEMS PRESSURE	DUAL ELECTRONIC AIR SYSTEM PRESSURE	0	0
S 704002	LOW AIR WARNING DEVICE	AUDIBLE AND VISUAL	0	0
S 782L01	PARK BRAKE INDICATOR	PARK BRAKE INDICATOR LIGHT	0	0
O 8040001	VOLTMETER/AMMETER	ELECTRONIC VOLTMETER	0	0

LIGHTING

S 836005	LAMPS-HEAD	SINGLE ROUND HALOGEN	0	0
S 8390002	STOP-TAIL HARNESS	OMIT TAIL LAMPS, BB CONN @ EOF	0	0
O 8410002	LAMPS-TURN SIGNAL -FRONT	LED FRONT TURN SIGNALS	0	0
S 844016	SWITCH-TURN SIGNAL & FLASHER	NON-CANCELLING W/TRANSISTORIZED FLASHER	0	0
O 8510002	LAMPS-MARKER	AMBER LED ROOF MARKERS	0	0
S 859001	LAMPS-RUNNING	DAYTIME	0	0
S 8700001	CIRCUIT PROTECTION DEVICE	AUTO CIRCUIT BREAKERS	0	0

RADIO/MISC

S 509001	KEY & LOCK SETS-IGN/DOORS	DOOR & IGNITION SAME - UNIQUE PER TRUCK	0	0
O 5900006	RADIO	AM/FM RADIO, ROOF MOUNTED	13	-4
O 5910001	ANTENNA/POWER SUPPLY	AM/FM ANTENNA, B-PILLAR MTD (SIDE OPP. EXHAUST)	2	0
O 596005	RADIO SPEAKERS	2 DUAL CONE SPEAKERS	0	0
S 628017	WINDSHIELD WIPER	DUAL ELECTRIC MOTOR, INTERMITTENT	0	0
S 629003	WINDSHIELD WASHER	STANDARD	0	0
S 8730001	WIRING-CAB	RADIO SHUT-OFF IN REVERSE	0	0

FRONT TIRES / WHEELS

S 9210001	HUB CAPS - FRONT AXLE	CR ZYTEL HUBCAP	0	0
S 9400001	WHEEL OIL SEALS-FRONT	SCOTSEAL PLUS XL	0	0
S 904011	HUBS-FRONT	STEEL HUB PILOTED,285MM BOLT CIRCLE	0	0
S 905111	WHEELS-DISC FRONT	22.5X9.0 ACCURIDE STEEL, HP, 5.25" INSET, #29039, 5HH	0	0
S 905T98	SPARE WHEELS FRONT	NO SPARE FRONT WHEELS	0	0
S 907002	FRONT TIRE QUANTITY	2 FRONT TIRES	0	0
S 907T000	SPARE FRONT TIRE QUANTITY	NO SPARE FRONT TIRE	0	0
S 930469	TIRE SIZE & LOAD RANGE - FRONT	315/80R22.5 L-20PR TUBELESS TYPE RADIAL	0	0
S 9310017	TIRE MANUFACTURER & TREAD - FRONT	CONTINENTAL HSU - RATED TO 10K	0	0

Prepared By CLIFF BUCK
 Quote Id : 209" East Coast
 Phone : 901-861-1966
 Order : 80008157
 Lead Unit Sales Order : 80008157

Prepared For
 HEIL - EC CFEL
 VIN : 5VCDC6JF08H000000

S 931T98	SPARE FRONT TIRE	NO SPARE FRONT TIRES	0	0
S 943001	WHEEL BEARINGS-FRONT	STANDARD	0	0

REAR TIRES / WHEELS

S 908008	REAR TIRE QUANTITY	8 REAR TIRES	0	0
S 908T000	SPARE REAR TIRE QUANTITY	NO SPARE REAR TIRE	0	0
S 9130001	HUBS-REAR	IRON HUB, HP 10 STUD	0	0
S 914525	WHEELS-DISC REAR	22.5X8.25" ACCU STEEL, HP, #28487, 5HH	0	0
S 914T98	SPARE WHEELS REAR	NO SPARE REAR WHEELS	0	0
S 933062	TIRE SIZE & LOAD RANGE - REAR	11R22.5 H 16 PR	0	0
S 9340018	TIRE MANUFACTURER & TREAD - REAR	CONTINENTAL HDL	0	0
S 934T98	SPARE REAR TIRE	NO SPARE REAR TIRES	0	0
S 944001	WHEEL BEARINGS-REAR	STANDARD	0	0
S 9410001	WHEEL OIL SEALS-REAR	SCOTSEAL PLUS XL	0	0

AUXILIARY AXLE TIRES

S 9090000	TAG/PUSHER TIRE QUANTITY	NO TIRES PROVIDED, TAG/PUSHER AXLE	0	0
-----------	--------------------------	------------------------------------	---	---

PAINT

S 950001	CAB PAINT SCHEME	SINGLE COLOR PAINT	0	0
S 9550001	CAB PAINT TYPE	STANDARD WHITE	0	0
S 956025	CHASSIS PAINT TYPE	TWO PART POLYEURETHANE ENAMEL	0	0
S 9800001	CAB COLOR-FIRST	STANDARD WHITE N0007	0	0
S 9861U1	CHASSIS COLOR	BLACK P3036	0	0
S 987949	BUMPER COLOR	SAME AS CHASSIS, UNPAINTED ALUM OR CHROME	0	0
S 988401	DISC WHEEL OR RIM COLOR	STEEL, E-COAT WHITE / ALUM-UNPAINTED	0	0
S 989949	AXLE WHEEL END COLOR	SAME AS CHASSIS	0	0

ADDITIONAL OPTIONS

S 899002	WARRANTY	STANDARD WARRANTY	0	0
S 899A005	TRANSMISSION WARRANTY	ALLISON EDGE 4YR. WARRANTY	0	0
S 899B001	ENGINE WARRANTY	CUMMINS STANDARD WARRANTY	0	0
S 899S98	EPA SURCHARGE	NO EPA SURCHARGE	0	0
O 978030	FLOOR PLAN	30 DAYS FLOORING	0	0
S 969V98	ADDITIONAL PRICE ADJUSTMENT	NO ADDITIONAL PRICE ADJUSTMENT	0	0

OTHERS

S 001005	MODEL SERIES	WX TRUCK SERIES	0	0
S 003004	MODEL CONFIGURATIONS	TANDEM AXLE MODELS	0	0
S 133003	ACCELERATOR PEDAL & LINK	WILLIAMS ACCELERATOR	0	0

Prepared By CLIFF BUCK
 Quote Id : 209" East Coast
 Phone : 901-861-1966
 Order : 80008157
 Lead Unit Sales Order : 80008157

Prepared For
 HEIL - EC CFEL
 VIN : 5VCDC6JF08H000000

S 223003	AIR CLEANER OUTLET PIPING	STANDARD CLAMPS	0	0
S 459005	BUMPER LOCATION	STANDARD POSITION	0	0
S 5290001	RELOCATED REWARDED FALL 2004	SEATS RELOCATED REARWARD	0	0
S 616003	HEATER/AIR CONDITIONER DUCTING	NON SLEEPER	0	0
S 636001	LICENSE PLATE MOUNTING-FRONT	TO BUMPER	0	0
S 720002	BRAKE VALVE & PEDAL	FLOOR MOUNTED PEDAL - STANDARD	0	0
S 740004	CERTIFICATION COMPLIANCE	US SALE-US COMMERCE-34 MPH AND UP	0	0
S 801002	ELECTRICAL SYSTEM POLARITY	NEGATIVE GROUND 12VOLT	0	0
S 811002	BATTERY CABLES	STANDARD	0	0
S 822001	STARTING SWITCH	STANDARD	0	0
S 958003	DEALER CODE	AUTOCAR TRUCK DEALER	0	0
O 9720001	CERTIFICATION-EMISSIONS	COMPLIES WITH 2007 U.S. EMISSIONS	0	0
S 974004	CERTIFICATION-EXTERIOR NOISE	COMPLIES W/U.S. & CANADA 80D\B\A AT 50FT	0	0

SUB TOTALS

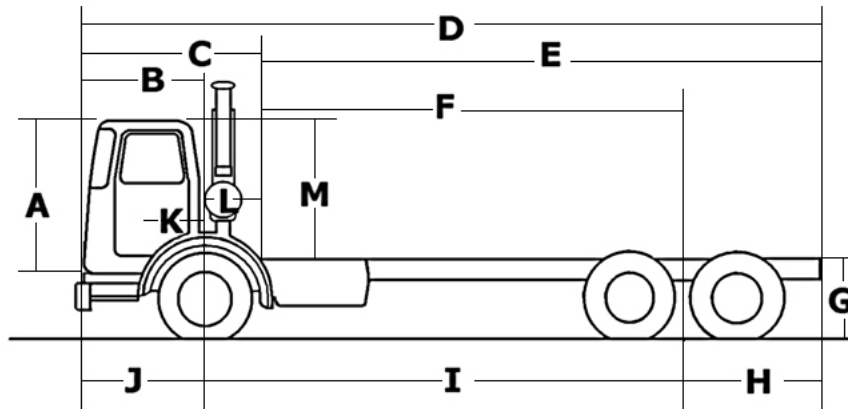
BASE WEIGHT	9,382	6,820
FACTORY OPTION WEIGHT	493	422
DEALER OPTION WEIGHT	0	0

TOTALS

TOTAL WEIGHT(LB)	9,875	7,242	17,117
------------------	-------	-------	--------

07/12/2007

Dimensions



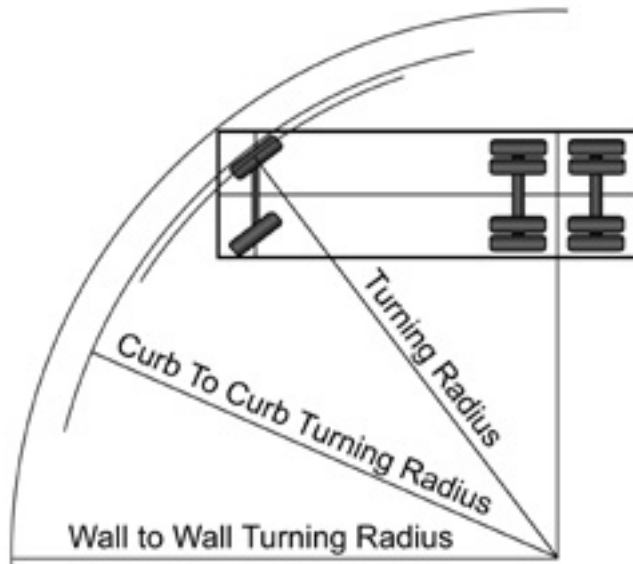
Dimension	Dimension(in)	Description
A	63.00	CAB HEIGHT
B	55.00	BUMPER TO BACK OF CAB
C	83.00	EFFECTIVE BUMPER TO BACK OF CAB
D	374.00	OVERALL LENGTH
E	291.00	EFFECTIVE CAB TO END OF FRAME
F	187.00	EFFECTIVE CAB TO REAR AXLE
G	42.85	UNLADEN FRAME HEIGHT
H	104.00	OVERHANG
I	209.00	WHEELBASE
J	61.00	BUMPER TO FRONT AXLE
K	-18.00	DRIVER CENTER OF GRAVITY
L	22.00	EFFECTIVE FRONT AXLE TO BACK
M	63.00	OVERALL HEIGHT
N	0.00	FRONT FRAME EXTENSION

SPECIFICATION SUMMARY

Model	WX64
Engine	ISL '07, 365HP@2100RPM / 1250 FT-LBS, CUMMINS
Transmission	ALLISON 4GC 4500 RDS 6 SPEED
Rear Axle	ARVIN MERITOR RT46-160 46,000 LB
Rear Axle Ratio	5.38
Rear Tire	11R22.5 H 16 PR

Turning Radius

07/12/2007



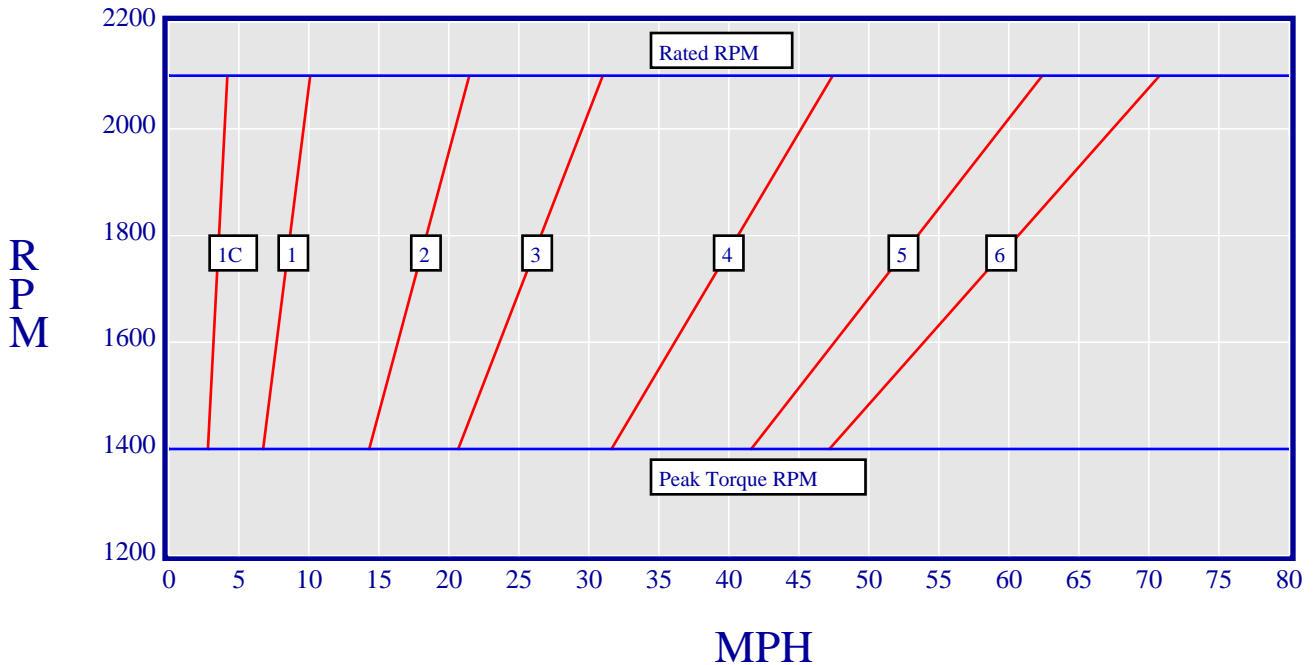
	Dimension(ft)	Description
A	35.20	TURNING RADIUS
B	72.51	CURB TO CURB TURNING DIAMETER
C	77.06	WALL TO WALL TURNING DIAMETER

SPECIFICATION SUMMARY

Model	WX64
Engine	ISL '07, 365HP@2100RPM / 1250 FT-LBS, CUMMINS
Transmission	ALLISON 4GC 4500 RDS 6 SPEED
Rear Axle	ARVIN MERITOR RT46-160 46,000 LB
Rear Axle Ratio	5.38
Rear Tire	11R22.5 H 16 PR

Operating Range

07/12/2007



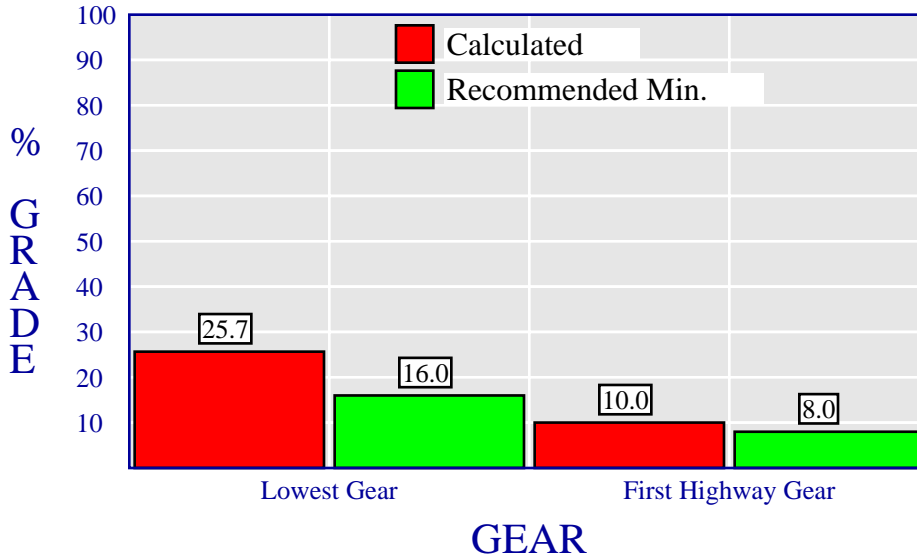
Gear	Trans. Ratio	Rear Axle Ratio	Minimum MHP	Maximum MPH
1C	11.37	5.38	2.8	4.2
1	4.70	5.38	6.7	10.1
2	2.21	5.38	14.3	21.5
3	1.53	5.38	20.7	31.0
4	1.00	5.38	31.6	47.4
5	0.76	5.38	41.6	62.4
6	0.67	5.38	47.2	70.8

SPECIFICATION SUMMARY

Model	WX64
Engine	ISL '07, 365HP@2100RPM / 1250 FT-LBS, CUMMINS
Rated Power	365 HP @2100 RPM
Peak Torque	1250 LB-FT @ 1400 RPM
Transmission	ALLISON 4GC 4500 RDS 6 SPEED
Rear Axle	ARVIN MERITOR RT46-160 46,000 LB
Rear Axle Ratio	5.38
Rear Tire	11R22.5 H 16 PR
Tire Revolution	494

Startability

07/12/2007



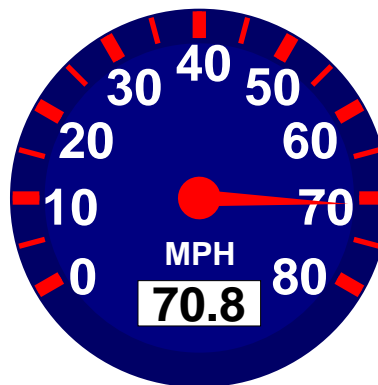
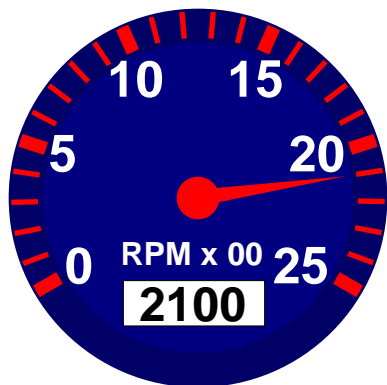
Gear	Application	Recommended Minimum Grade %	Calculated Grade %
Lowest Gear	City	12.0	n/a
	On Highway	16.0	25.7
	On-Off Highway	18.0	n/a
	Off Highway	20.0	n/a
First Highway Gear	All Applications	8.0	10.0

SPECIFICATION SUMMARY

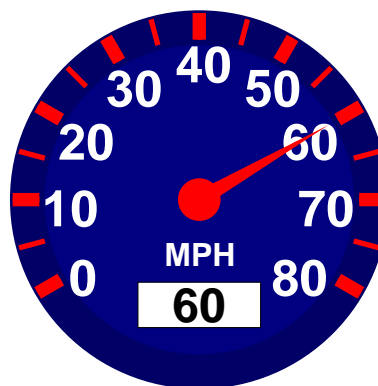
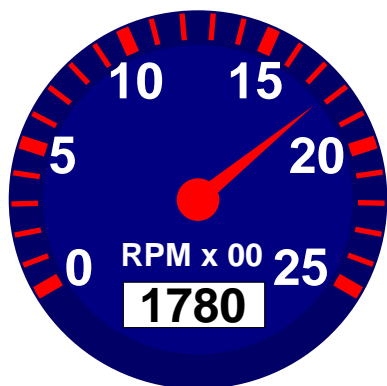
Model	WX64
Engine	ISL '07, 365HP@2100RPM / 1250 FT-LBS, CUMMINS
Clutch Torque	550 FT-LB @ 700RPM
Transmission	ALLISON 4GC 4500 RDS 6 SPEED
Rear Axle	ARVIN MERITOR RT46-160 46,000 LB
Rear Axle Ratio	5.38
Rear Tire	11R22.5 H 16 PR
Tire Radius	19.5
GVW/GCW	66,000
Surface	Concrete
Terrain	On Highway

Top Speed

Speed At Maximum RPM



RPM At 60MPH



	MPH	RPM
Top Speed	70.8	2100
Cruise Speed	60.0	1780
Minimum Of Engine Range	40.4	1200
Maximum Of Engine Range	70.8	2100
Minimum Of Economy Range	50.5	1500
Maximum Of Economy Range	60.7	1800

Prepared By CLIFF BUCK
Quote Id : 209" East Coast
Phone : 901-861-1966
Order : 80008157
Lead Unit Sales Order : 80008157

Prepared For
HEIL - EC CFEL
VIN : 5VCDC6JF08H000000

SPECIFICATION SUMMARY

Model	WX64
Engine	ISL '07, 365HP@2100RPM / 1250 FT-LBS, CUMMINS
Transmission	ALLISON 4GC 4500 RDS 6 SPEED
Rear Axle	ARVIN MERITOR RT46-160 46,000 LB
Rear Axle Ratio	5.38
Rear Tire	11R22.5 H 16 PR
Tire Revolution	494